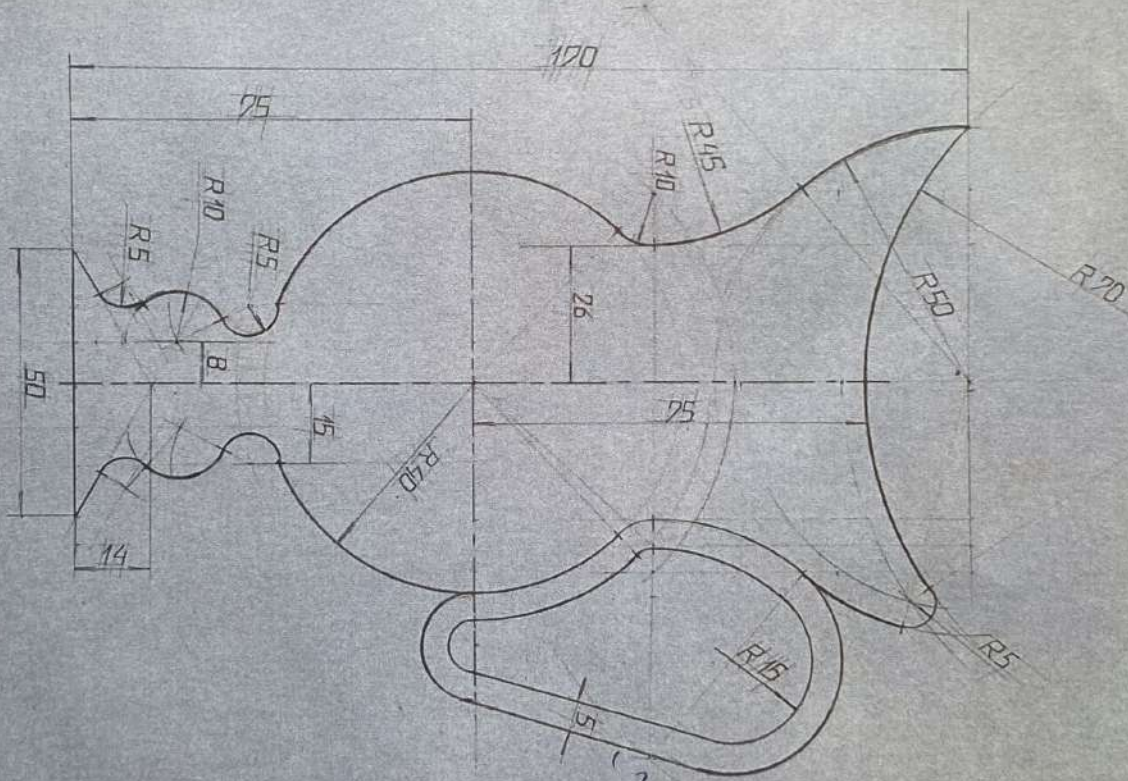


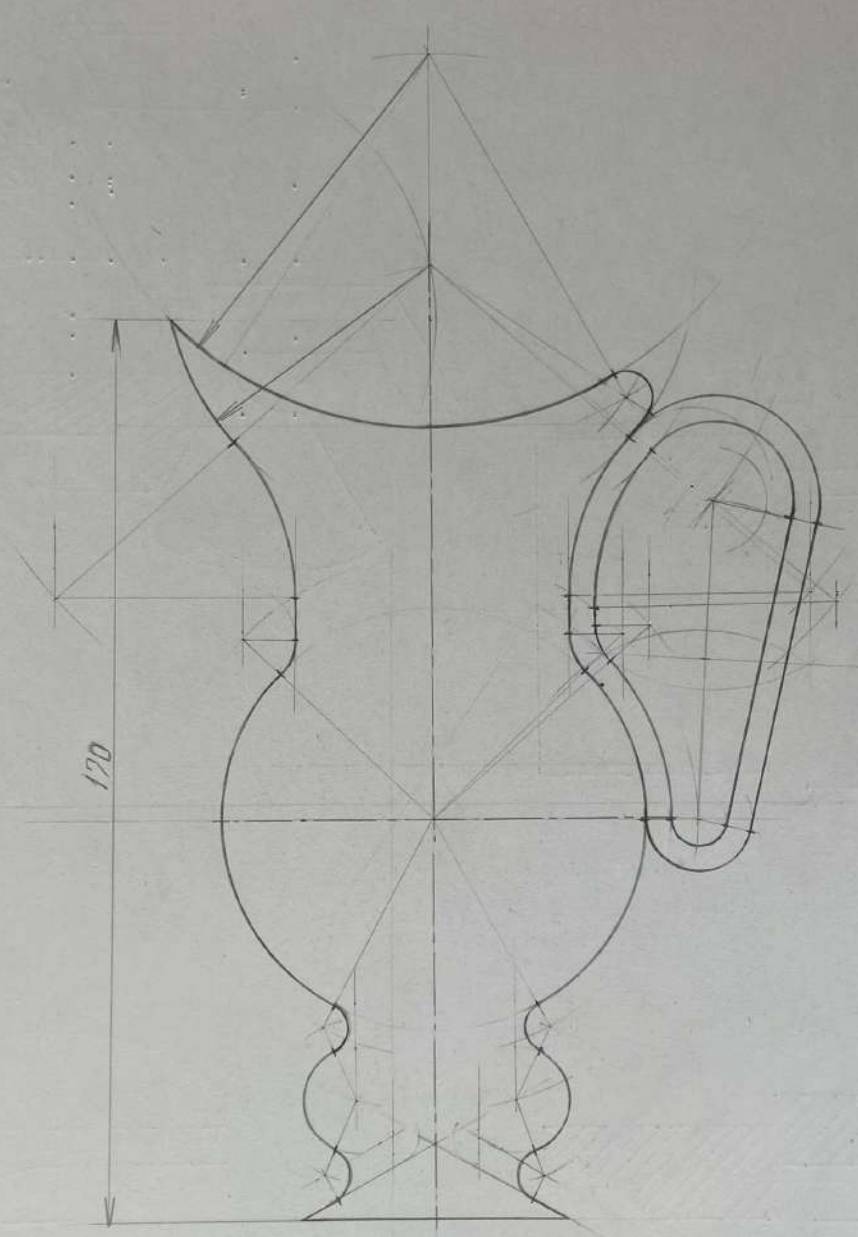
4037

4037

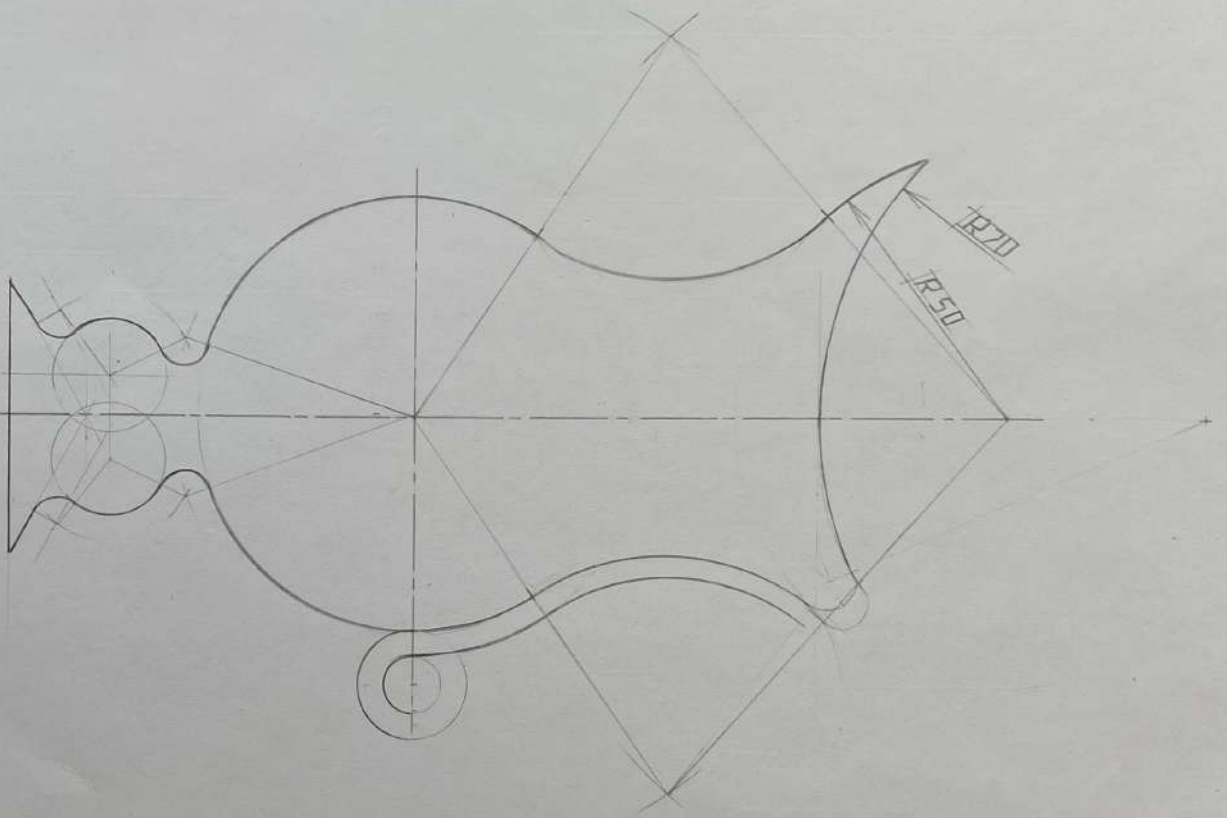


50

275

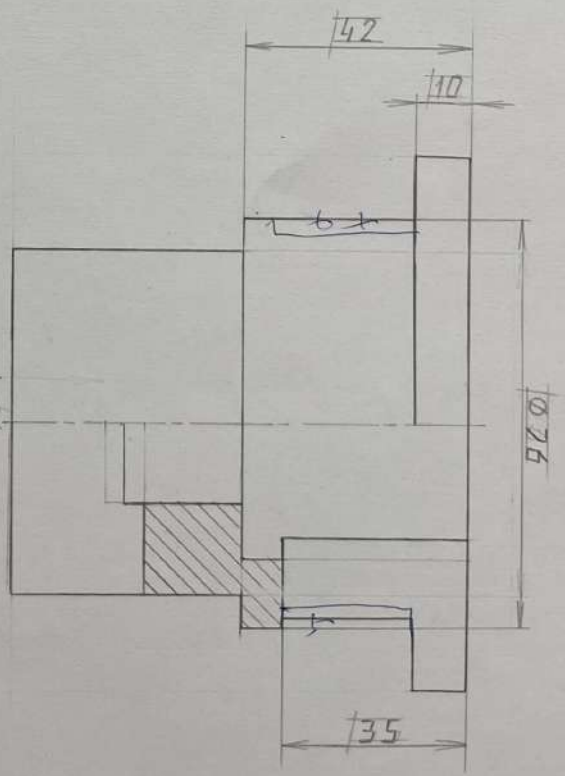
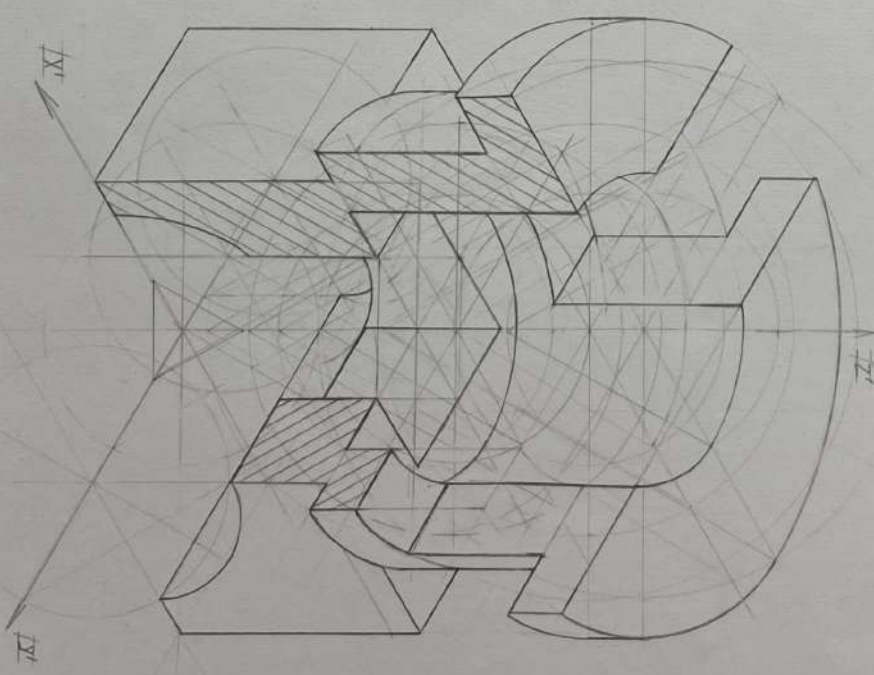
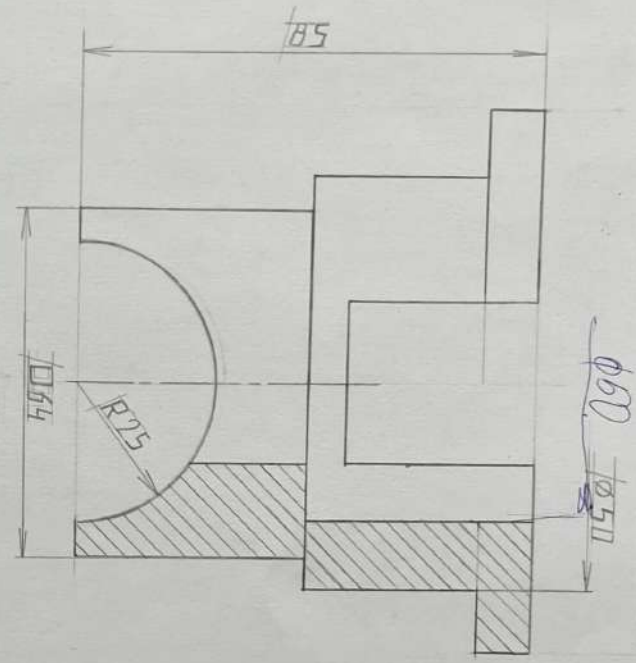
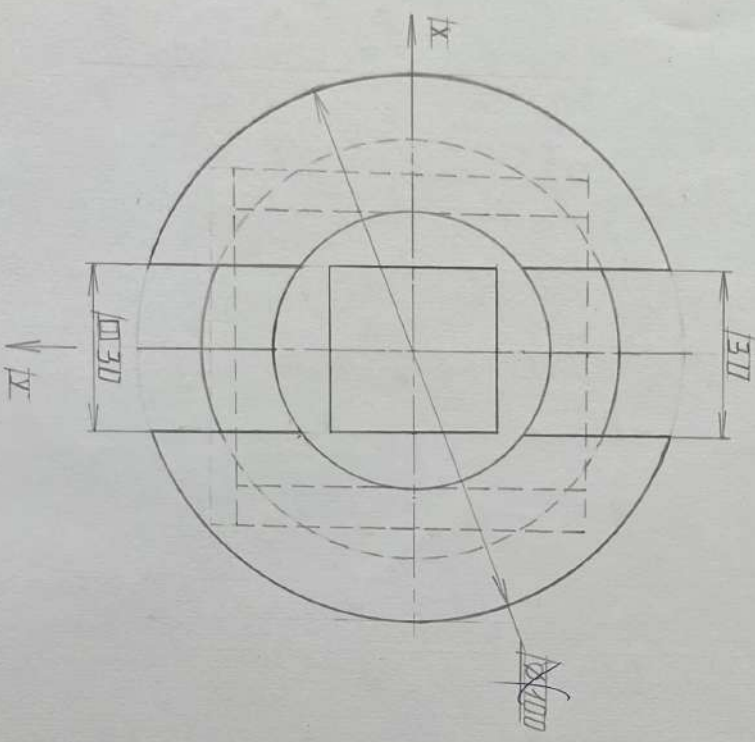


250.

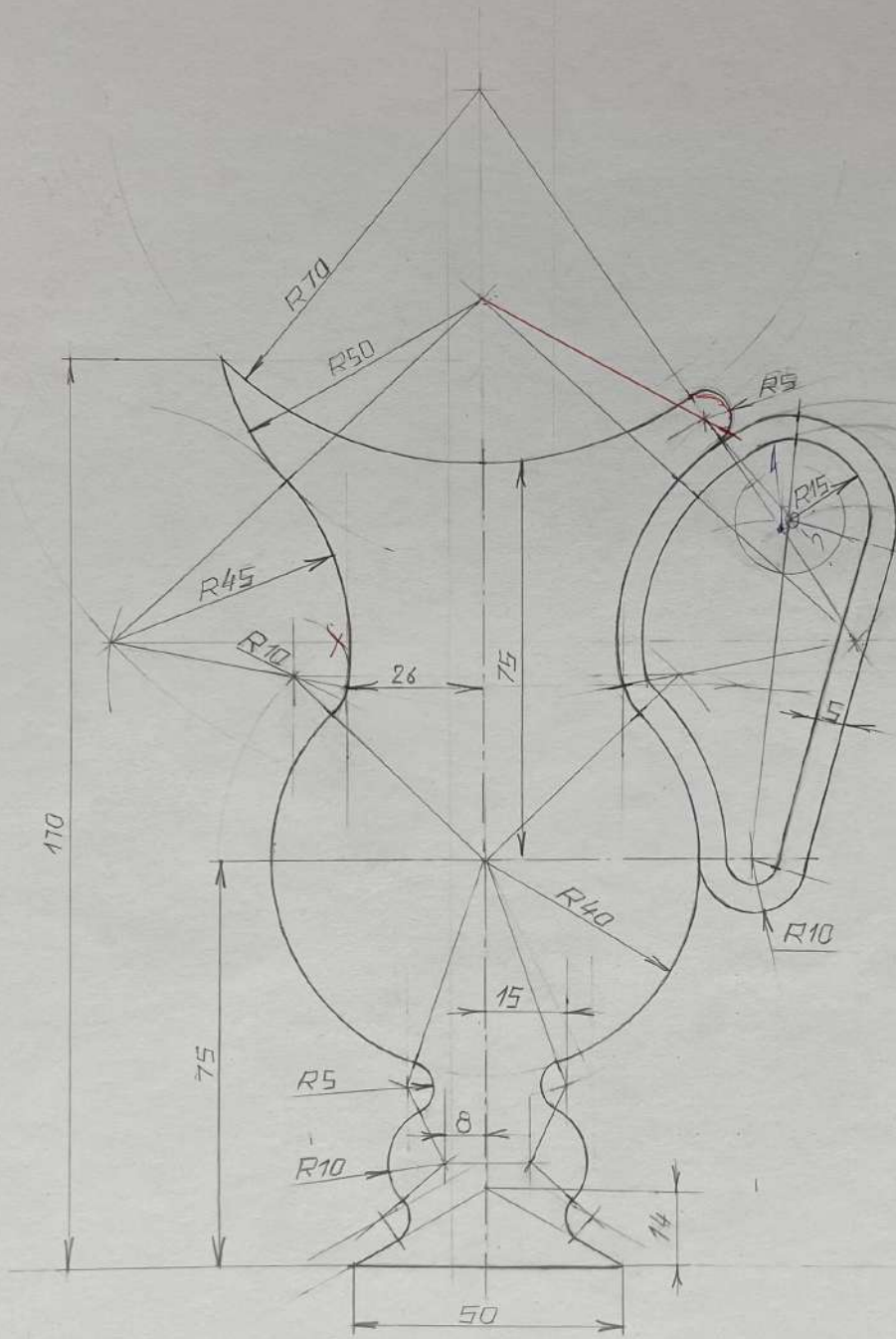


105

4010



668

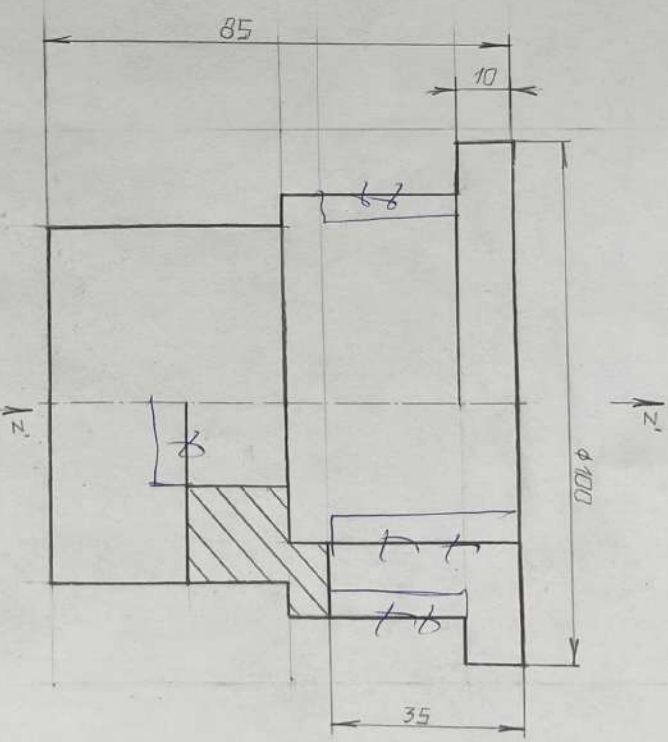
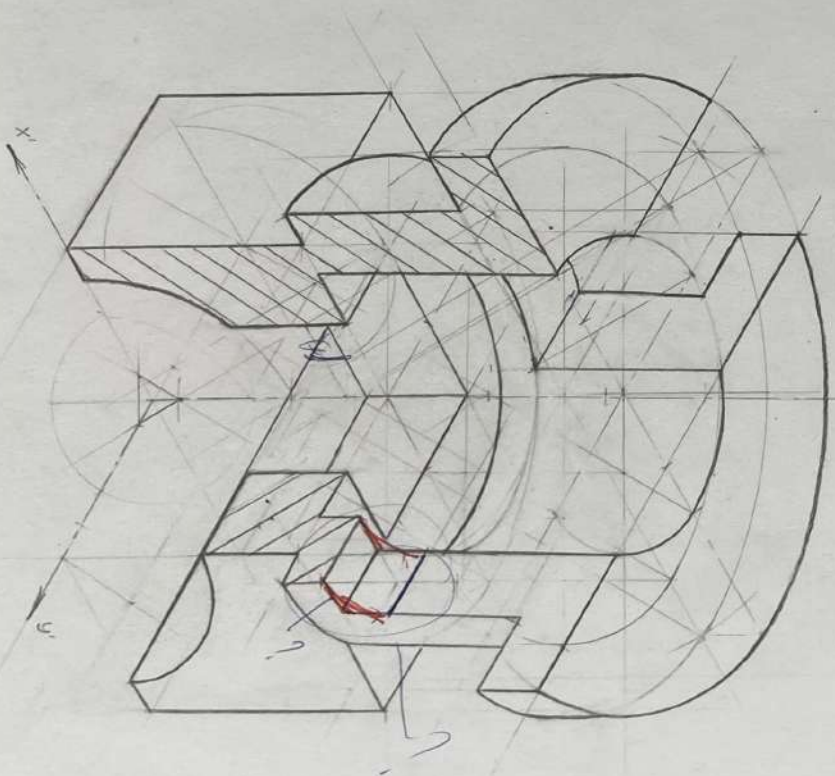
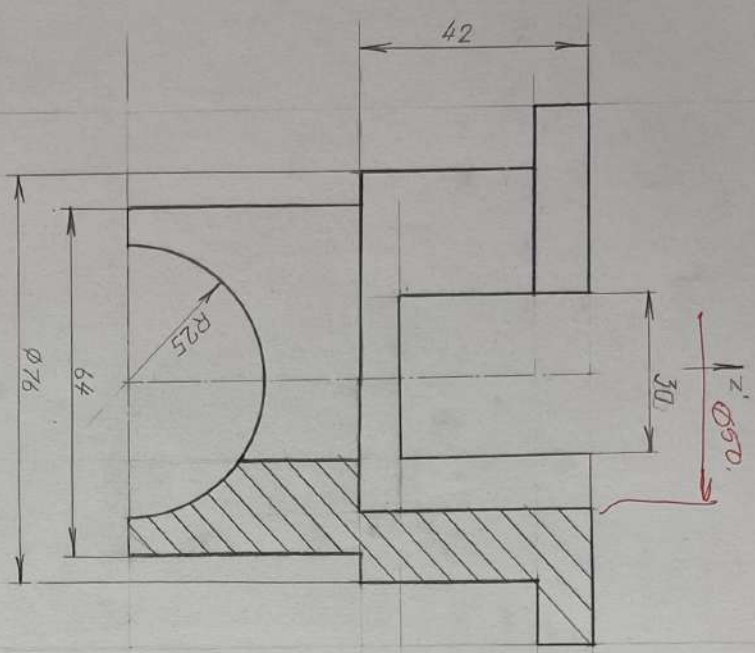
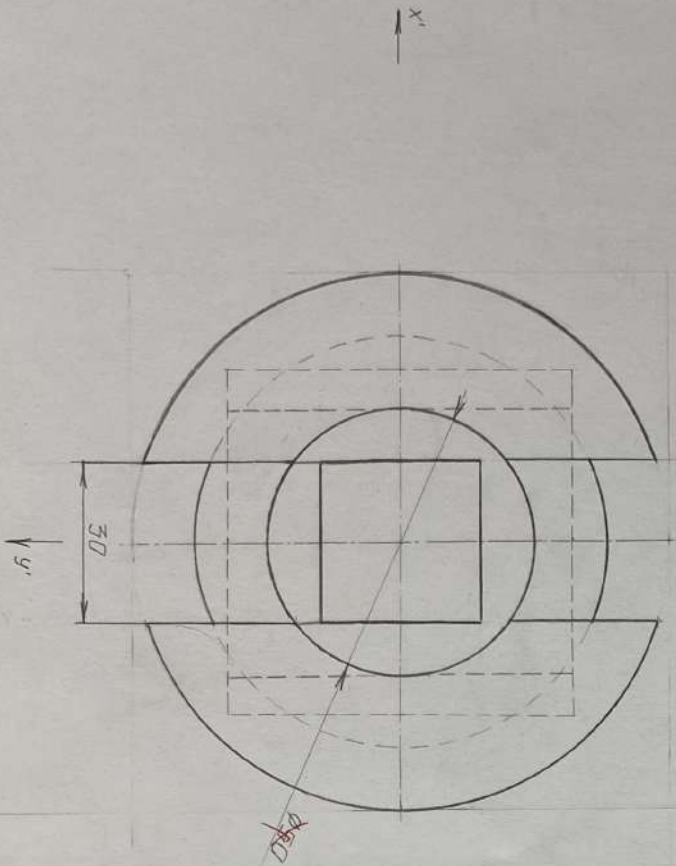


77

Handwritten note: $\frac{1}{2} \times 170 = 85$

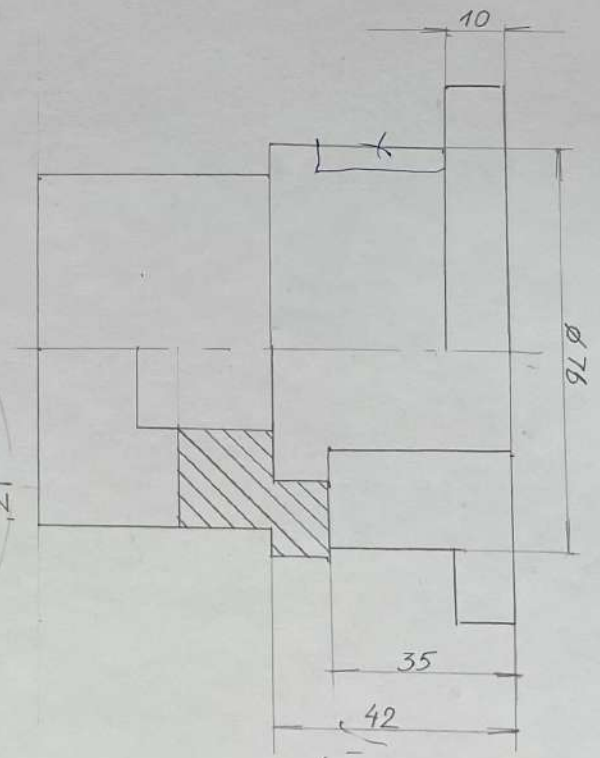
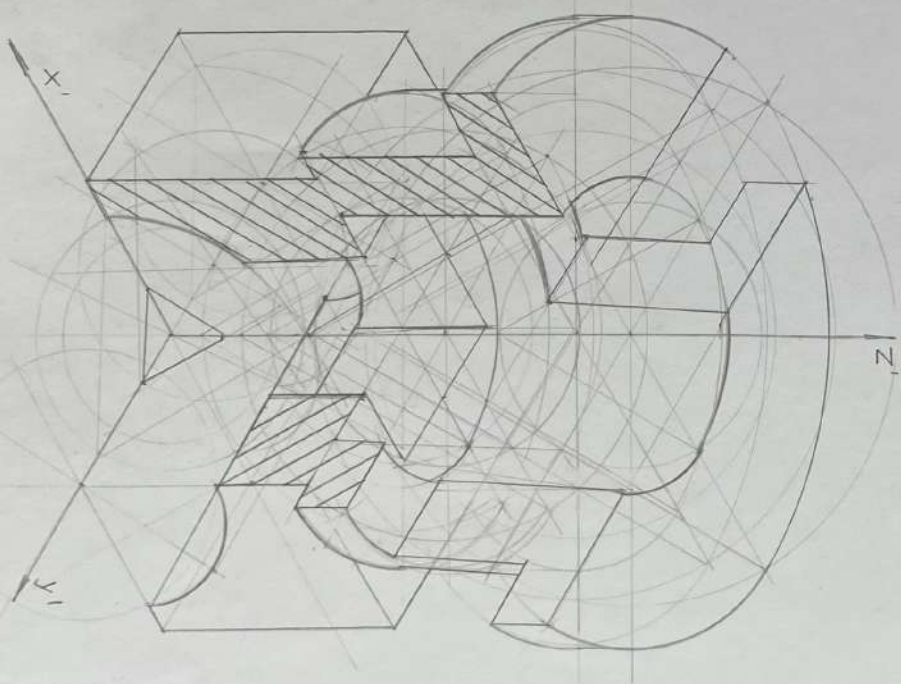
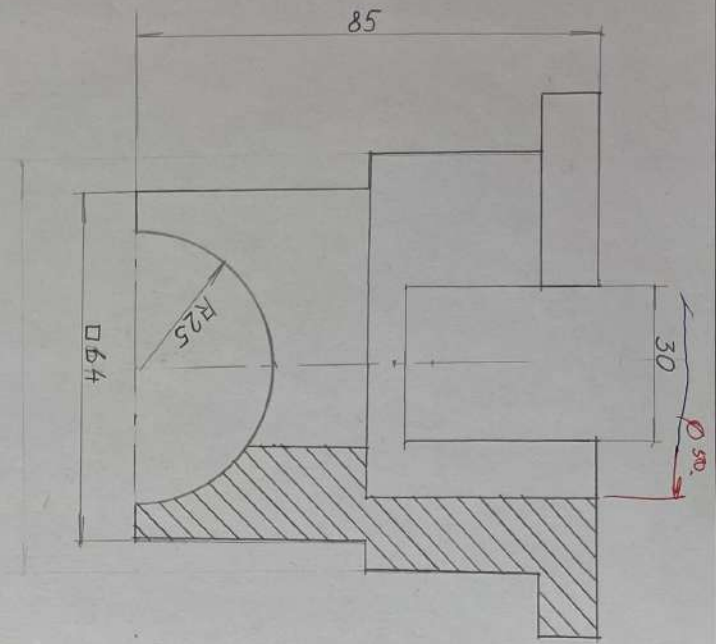
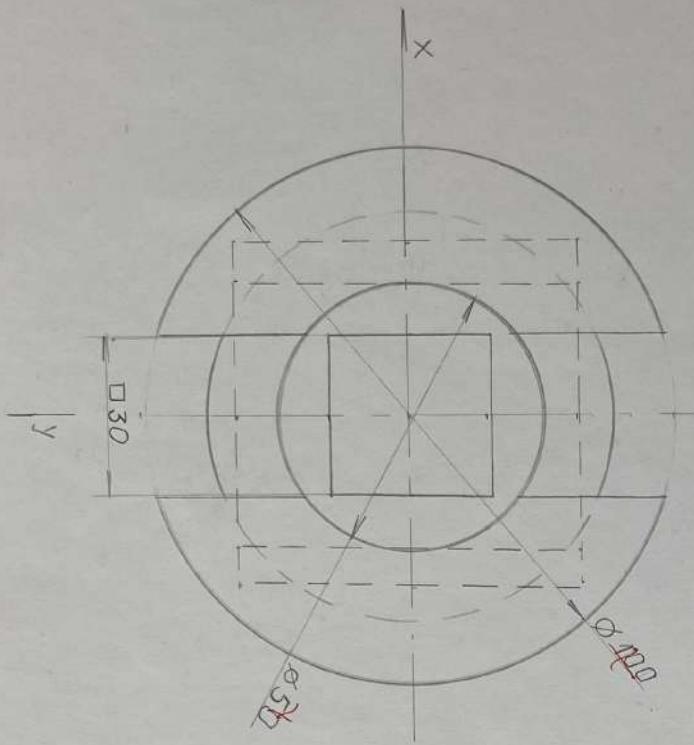
225.

4008



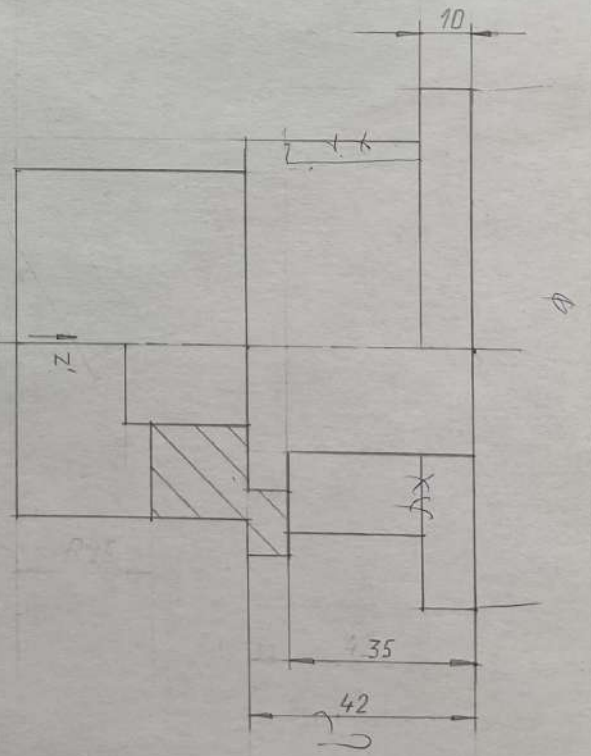
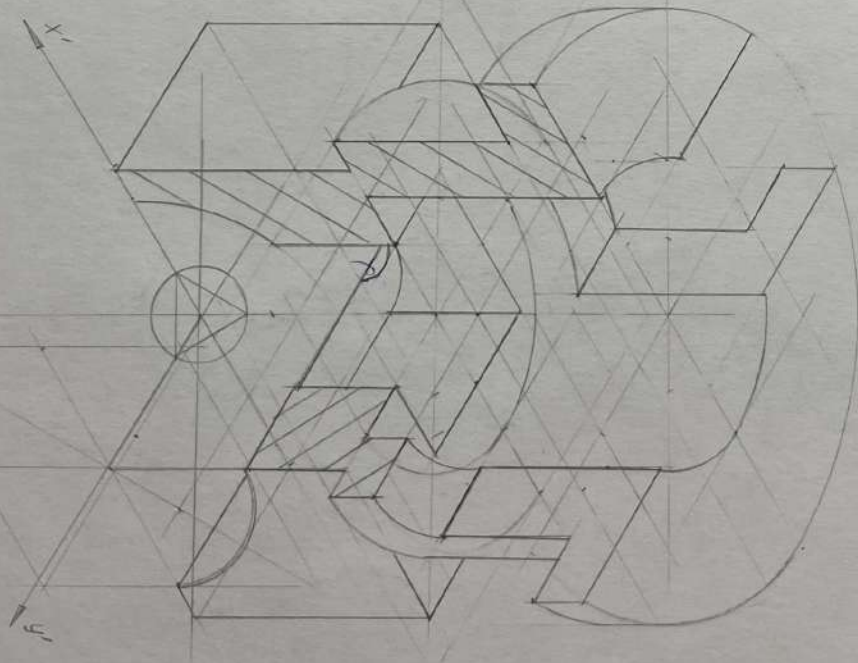
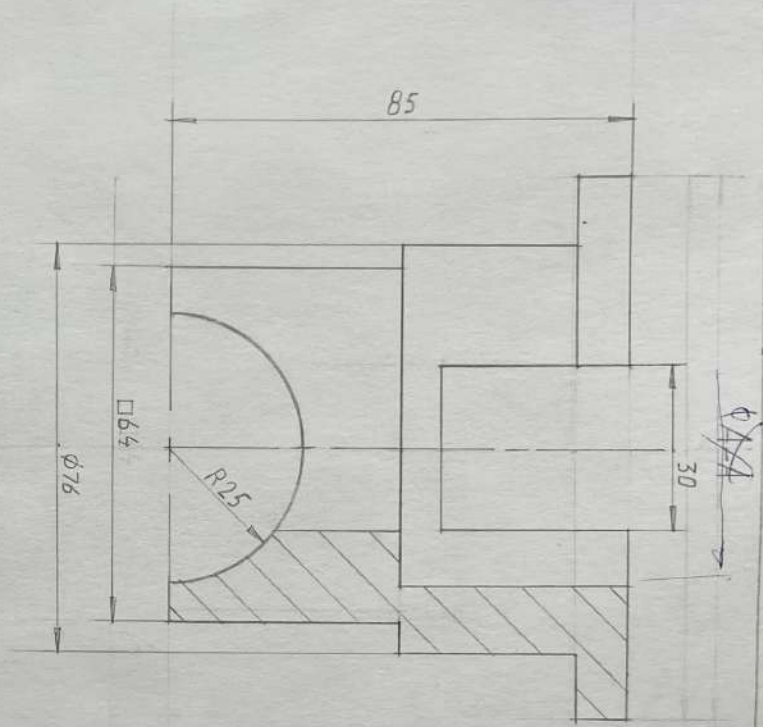
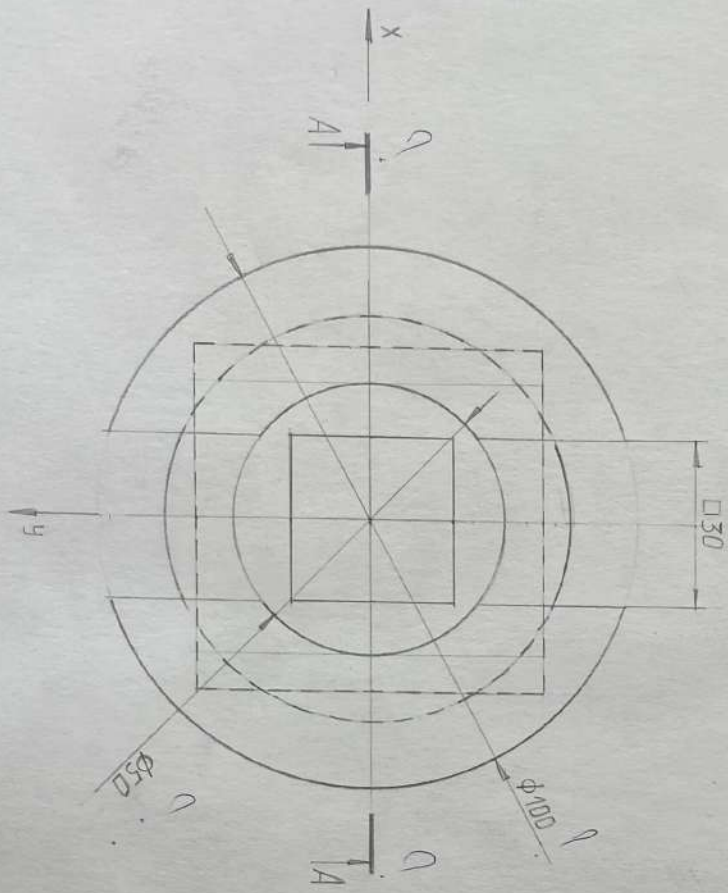
5005

4018

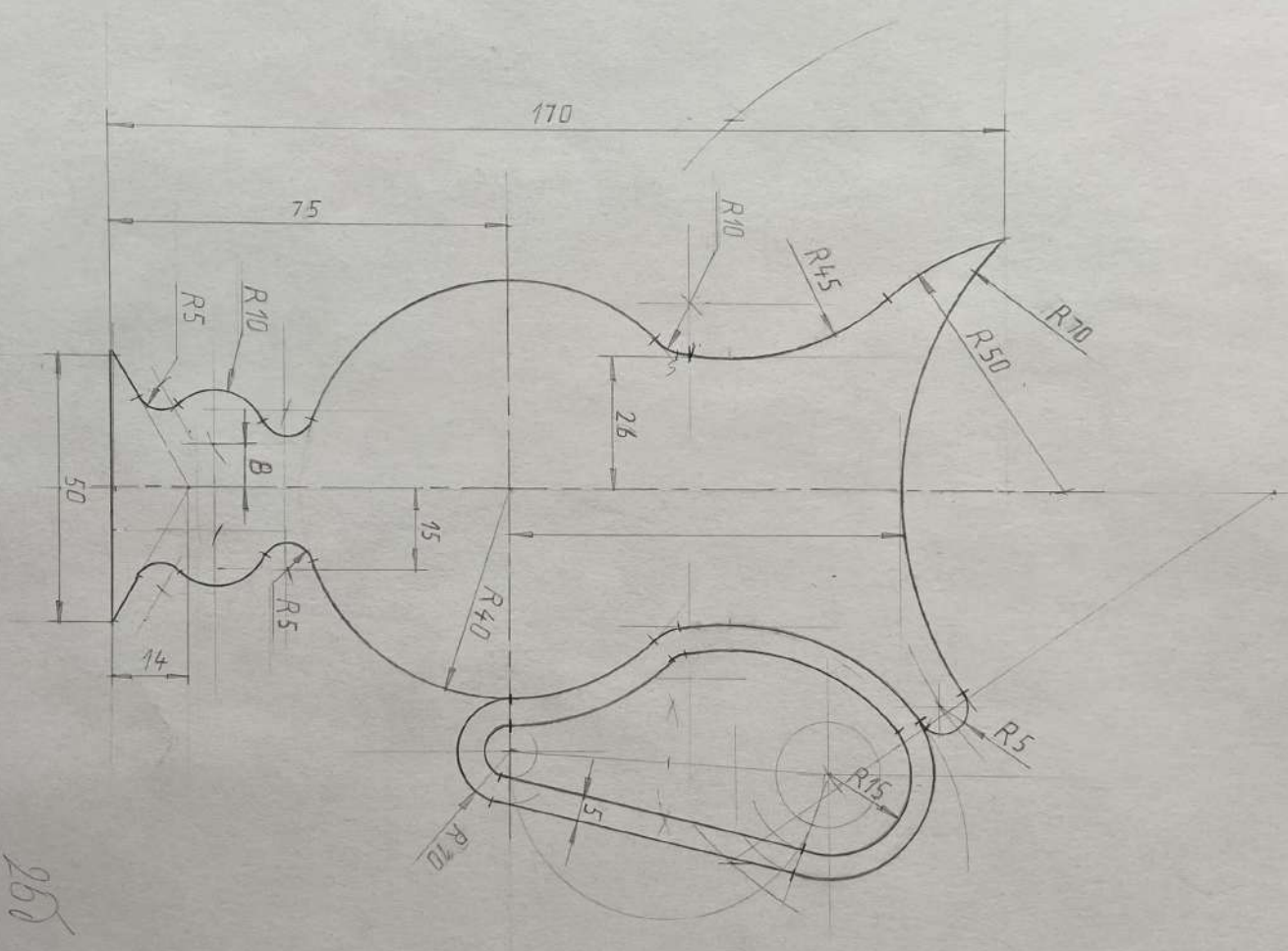


655

4002

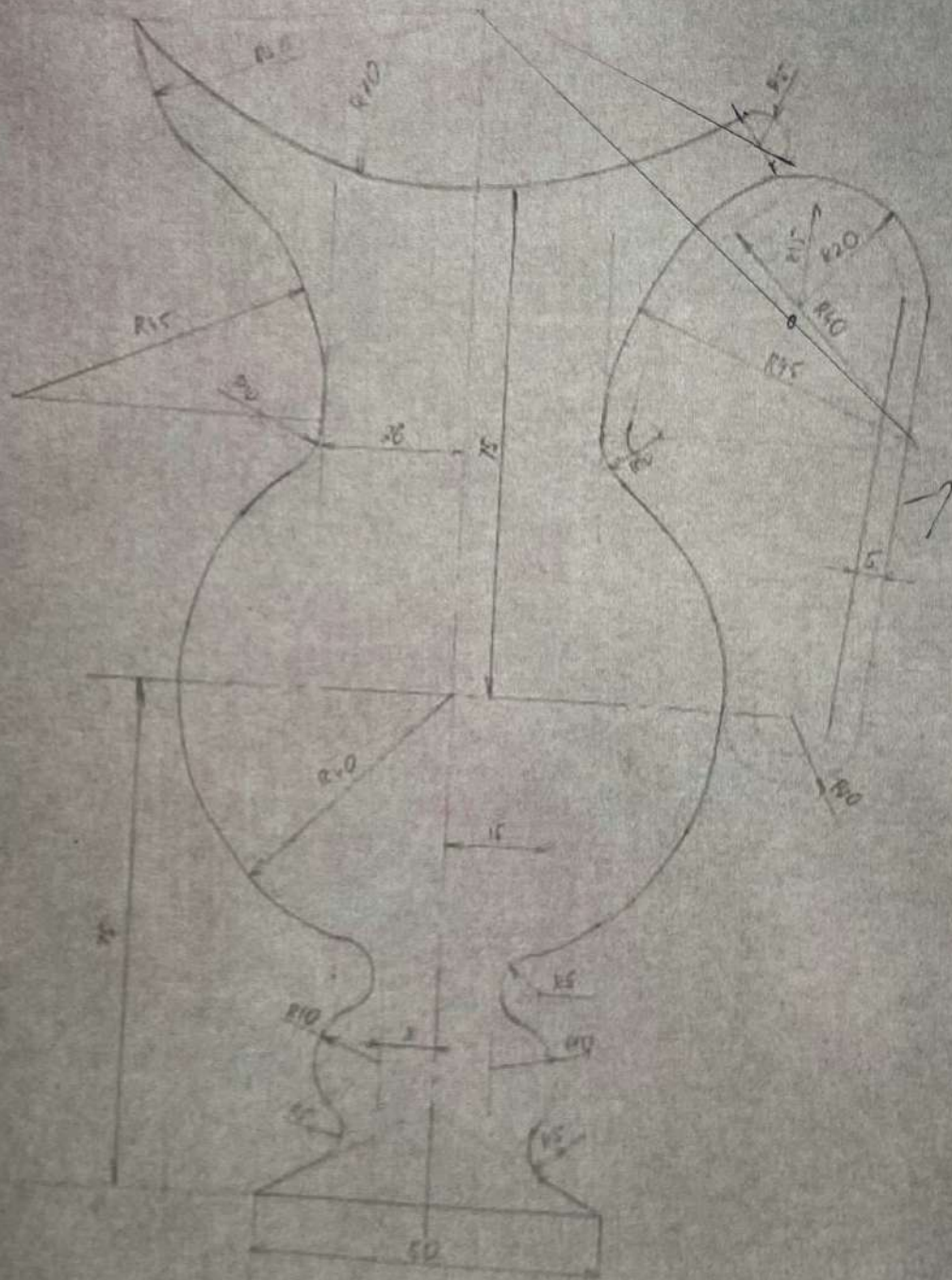


35



257

4085

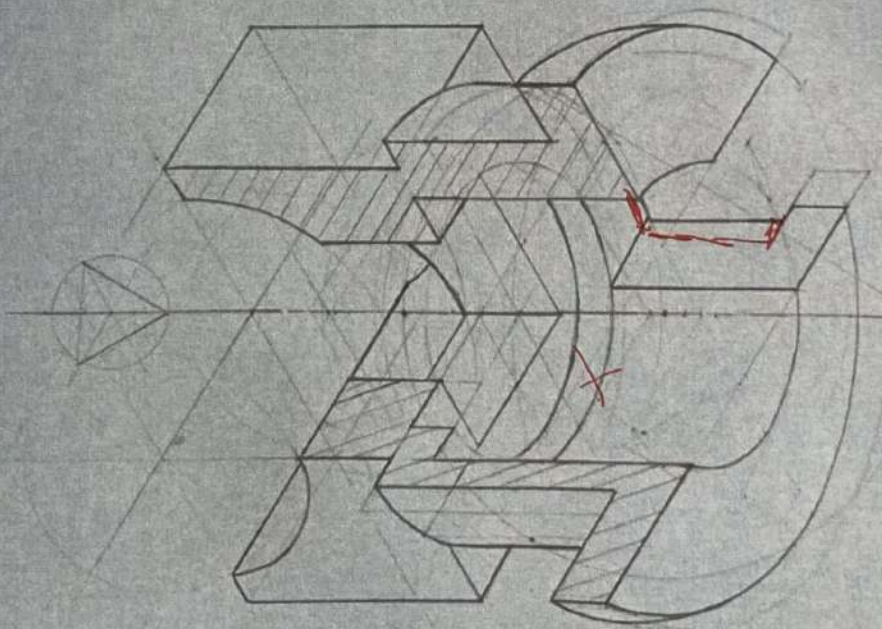
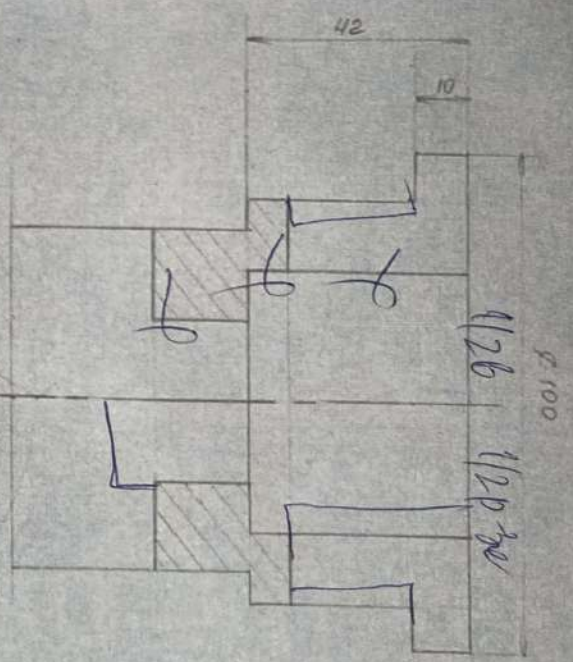
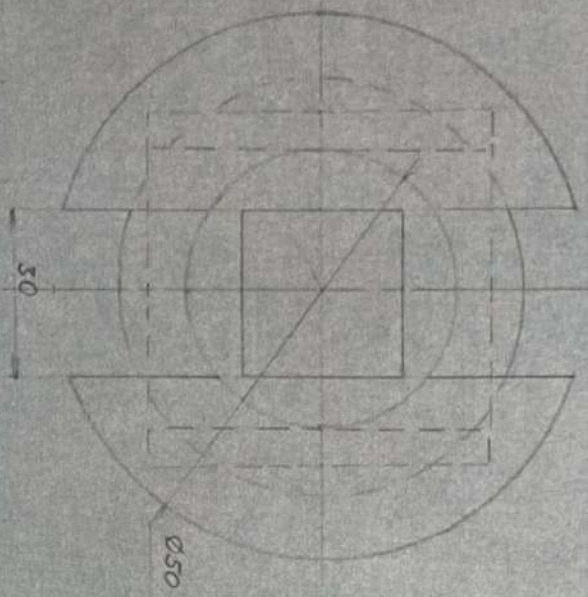
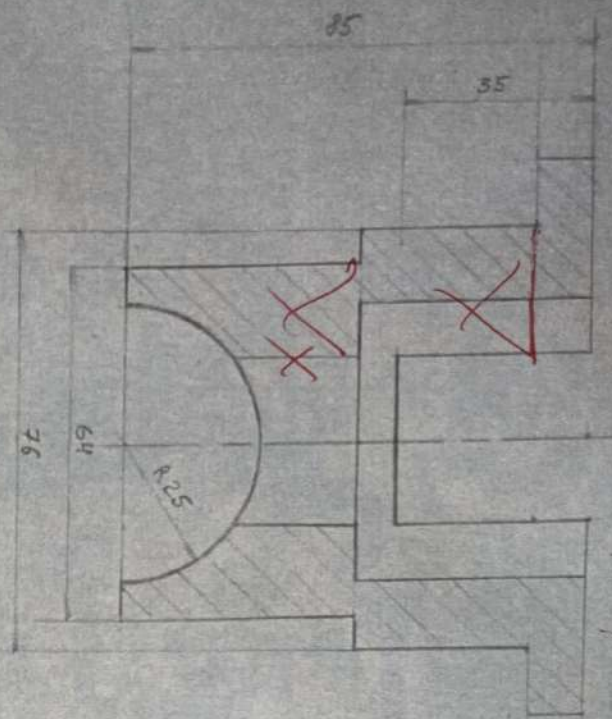


215

92017

1/2 B u d

1/2 P o 3 p o 3



1505