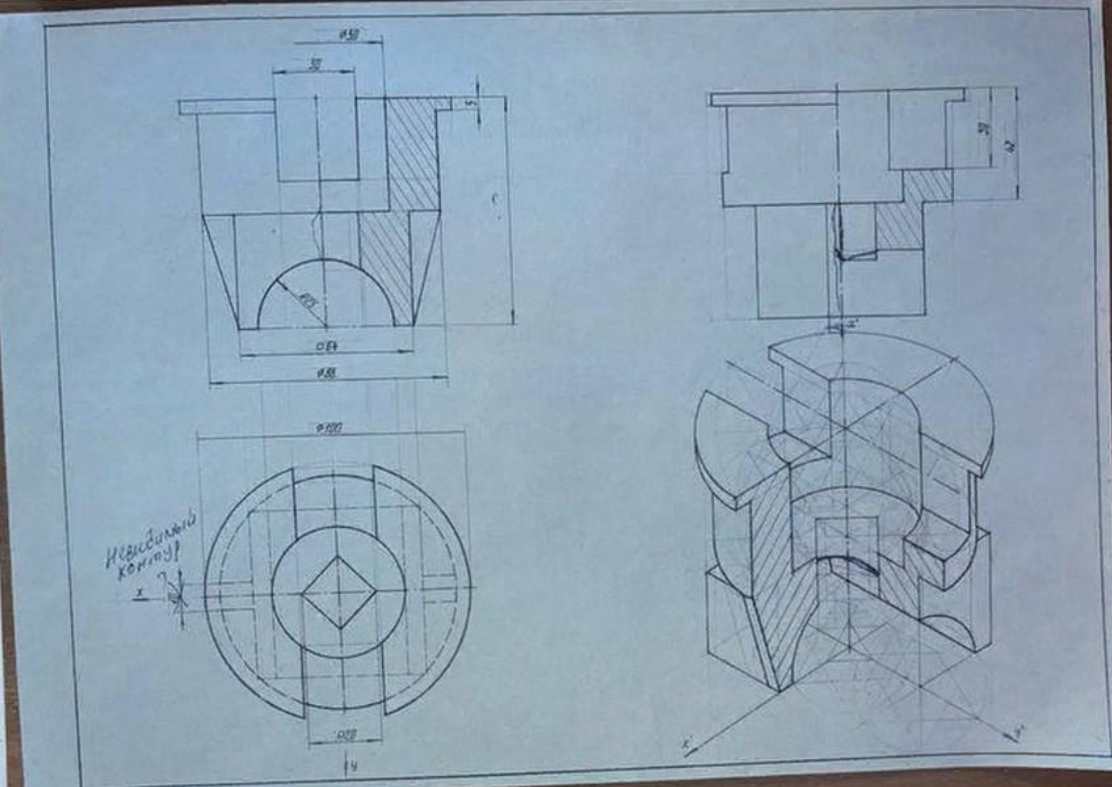


1-4
 2-6
 3-4
 4-11
 5-4
 6-10
 7-7
 8-2
 9-7
 10-6
 11-3

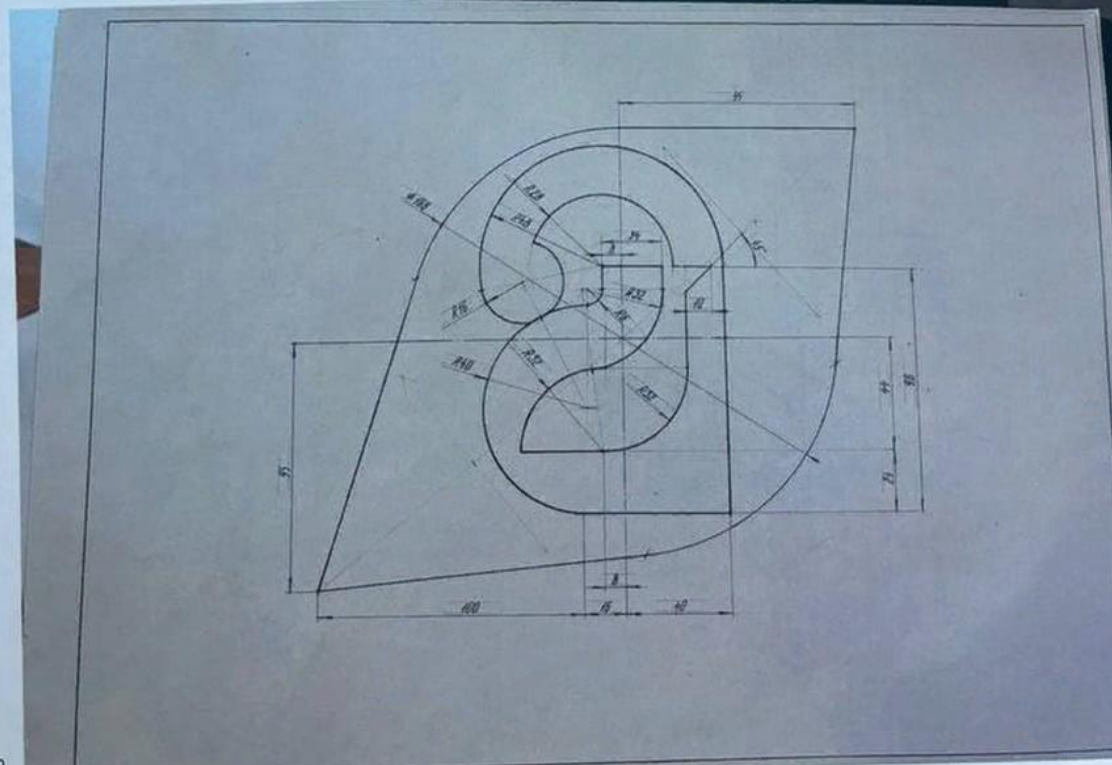
64



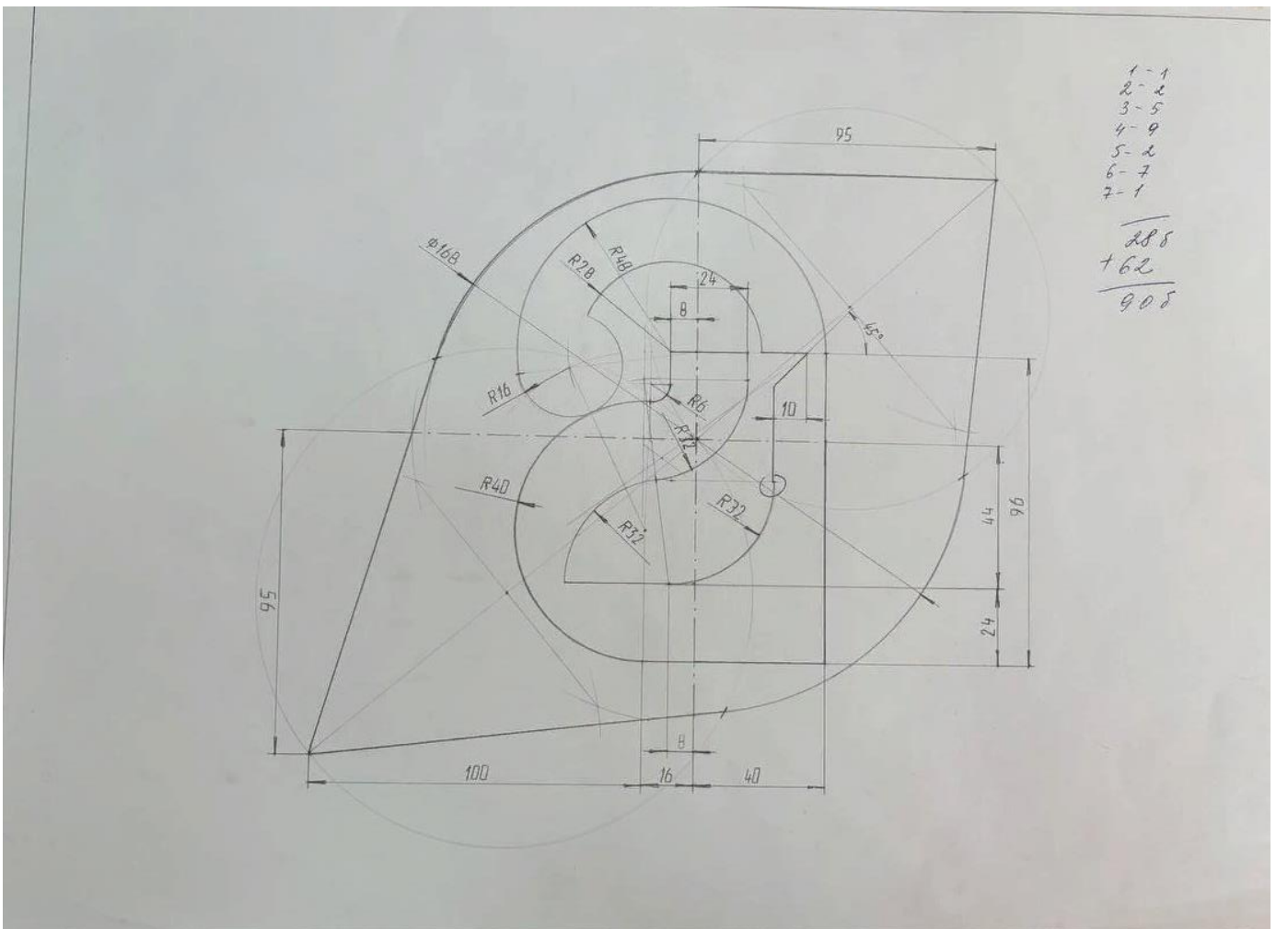
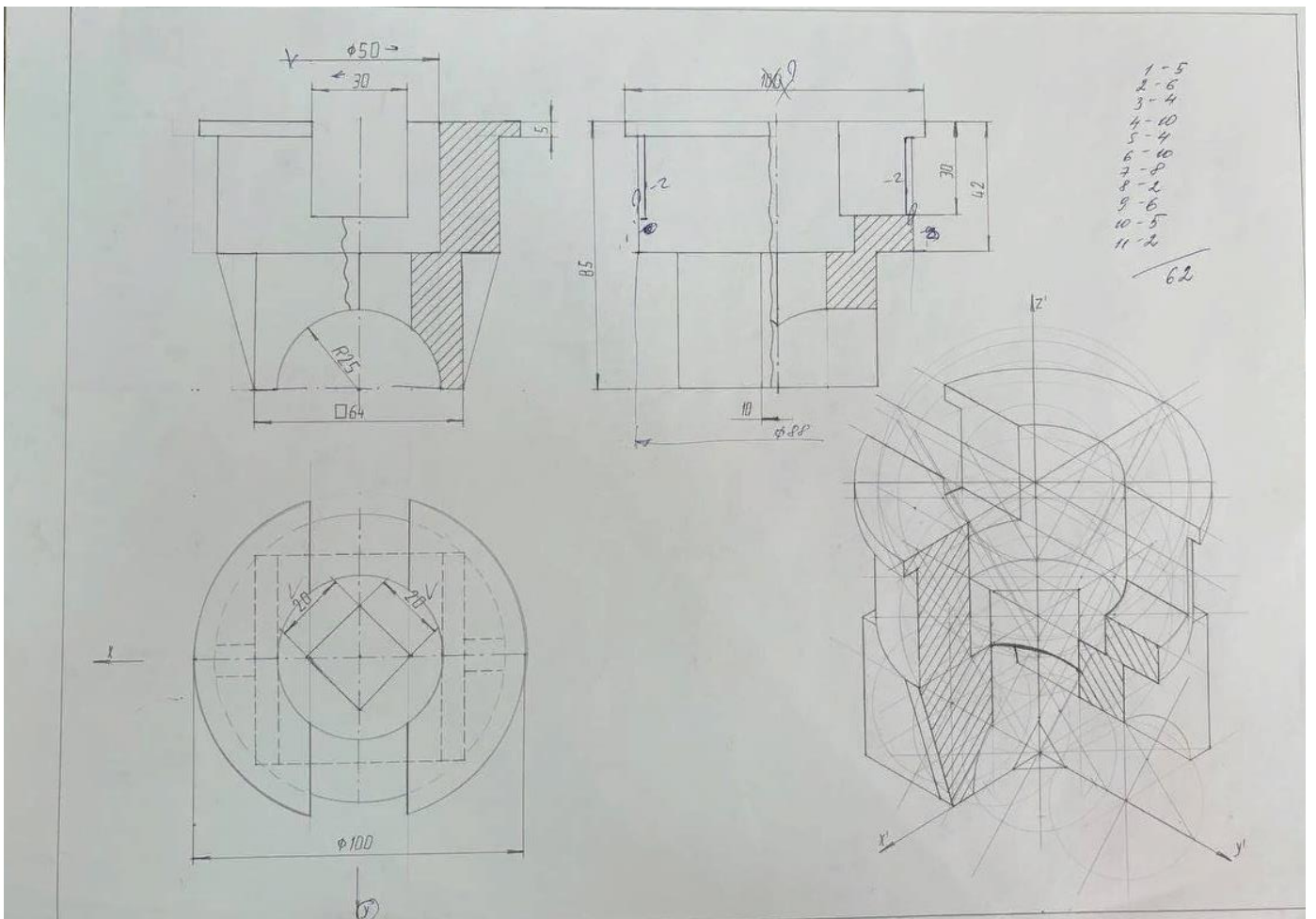
4005

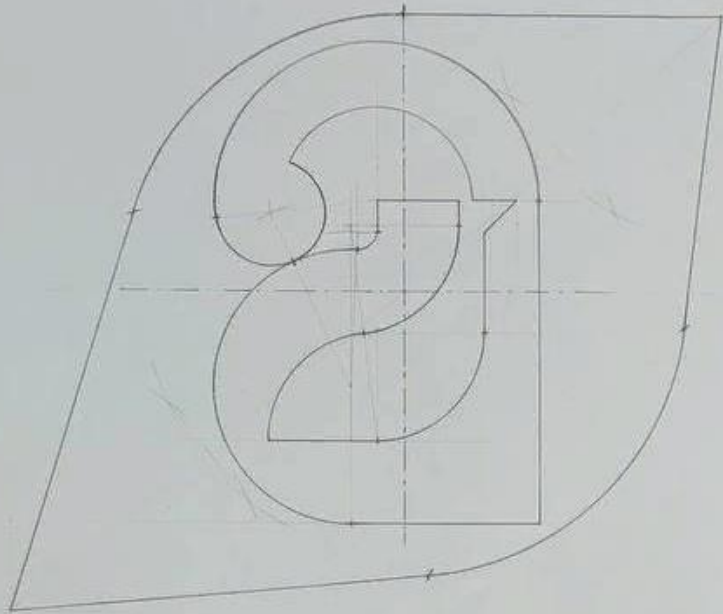
1-1
 2-2
 3-5
 4-9
 5-3
 6-6
 7-3

29



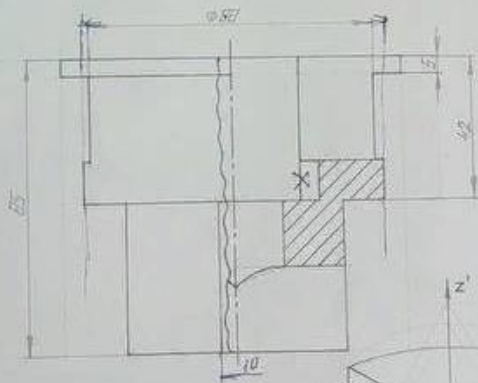
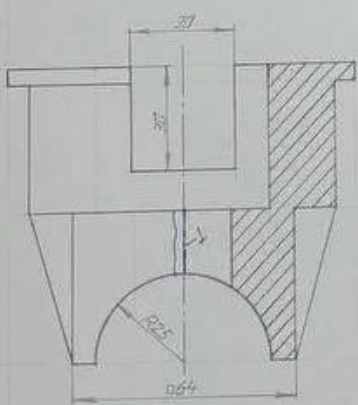
4005





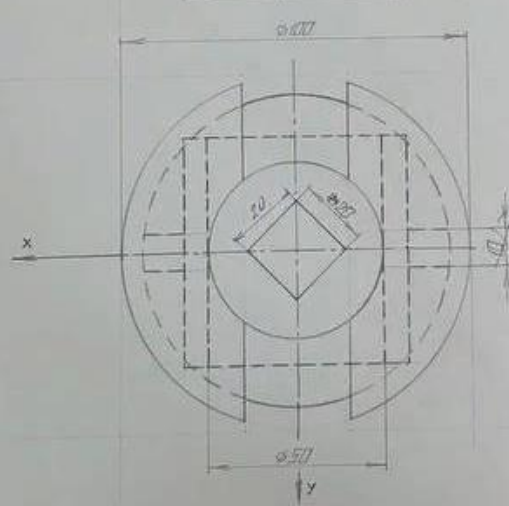
1-1
 2-1
 3-5
 4-9
 5-5
 6-0
 7-2

 22

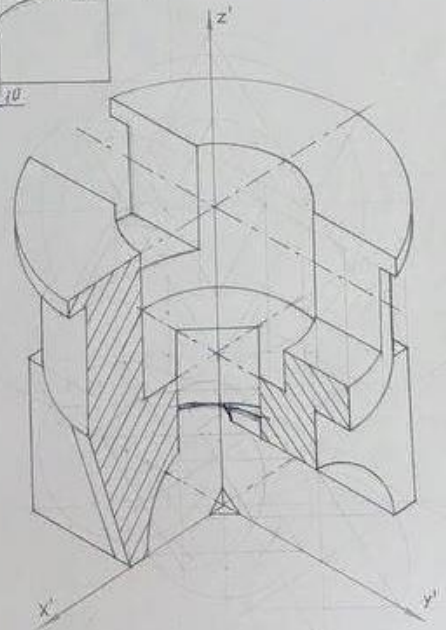


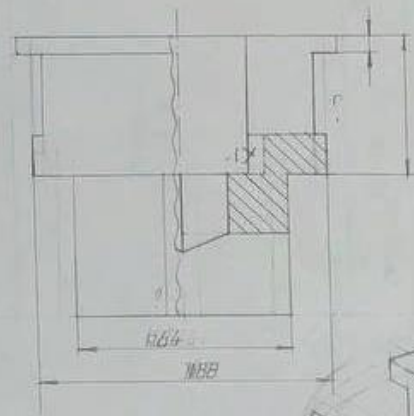
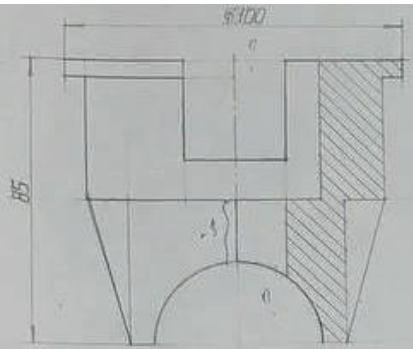
1-5
 2-5
 3-4
 4-13
 5-4
 6-9
 7-5
 8-2
 9-6
 10-6
 11-3

 23

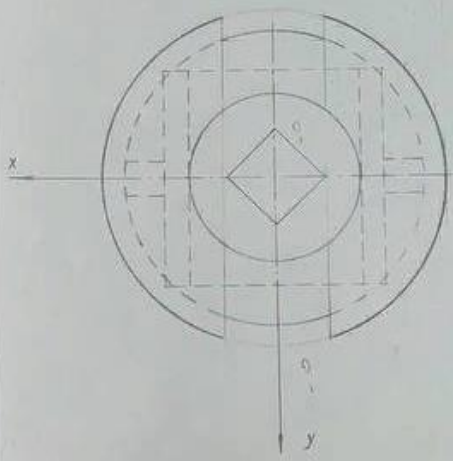


Небуквенный
 Корпус

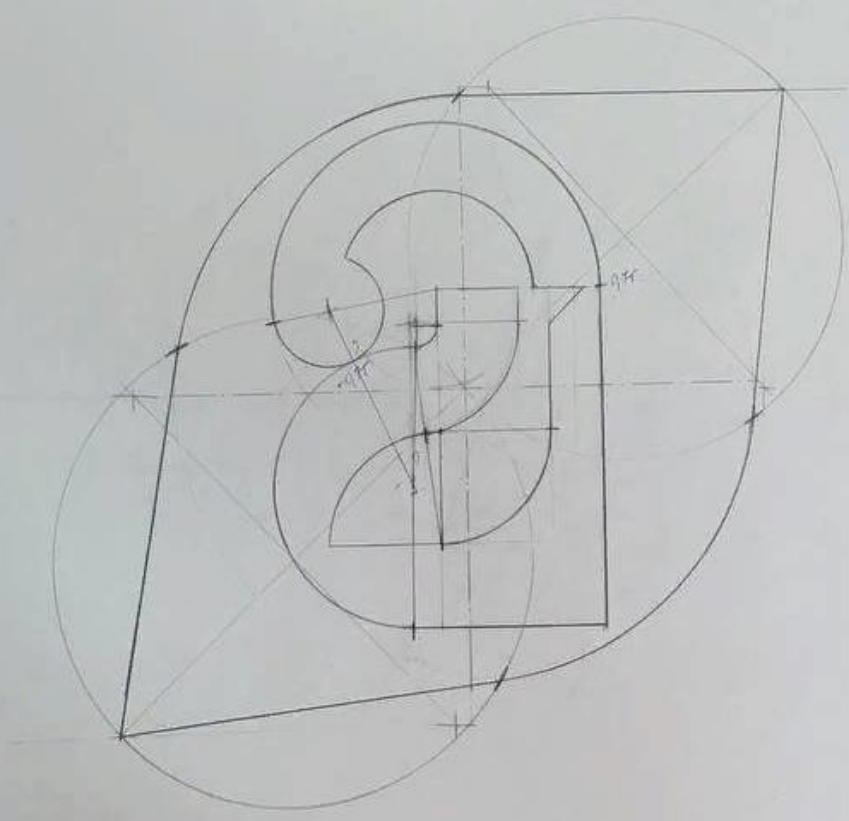
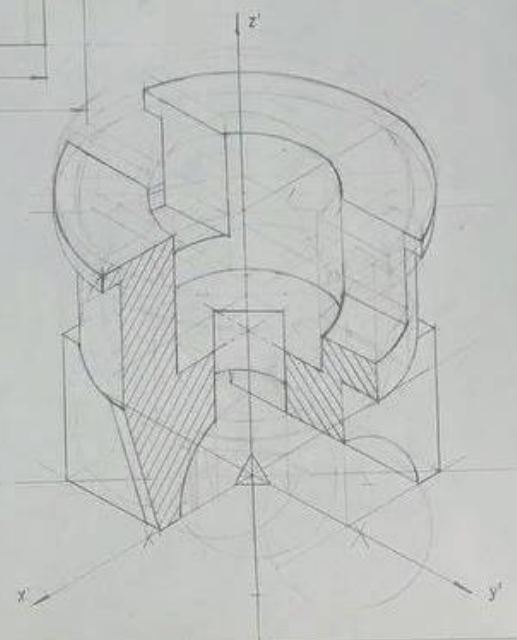




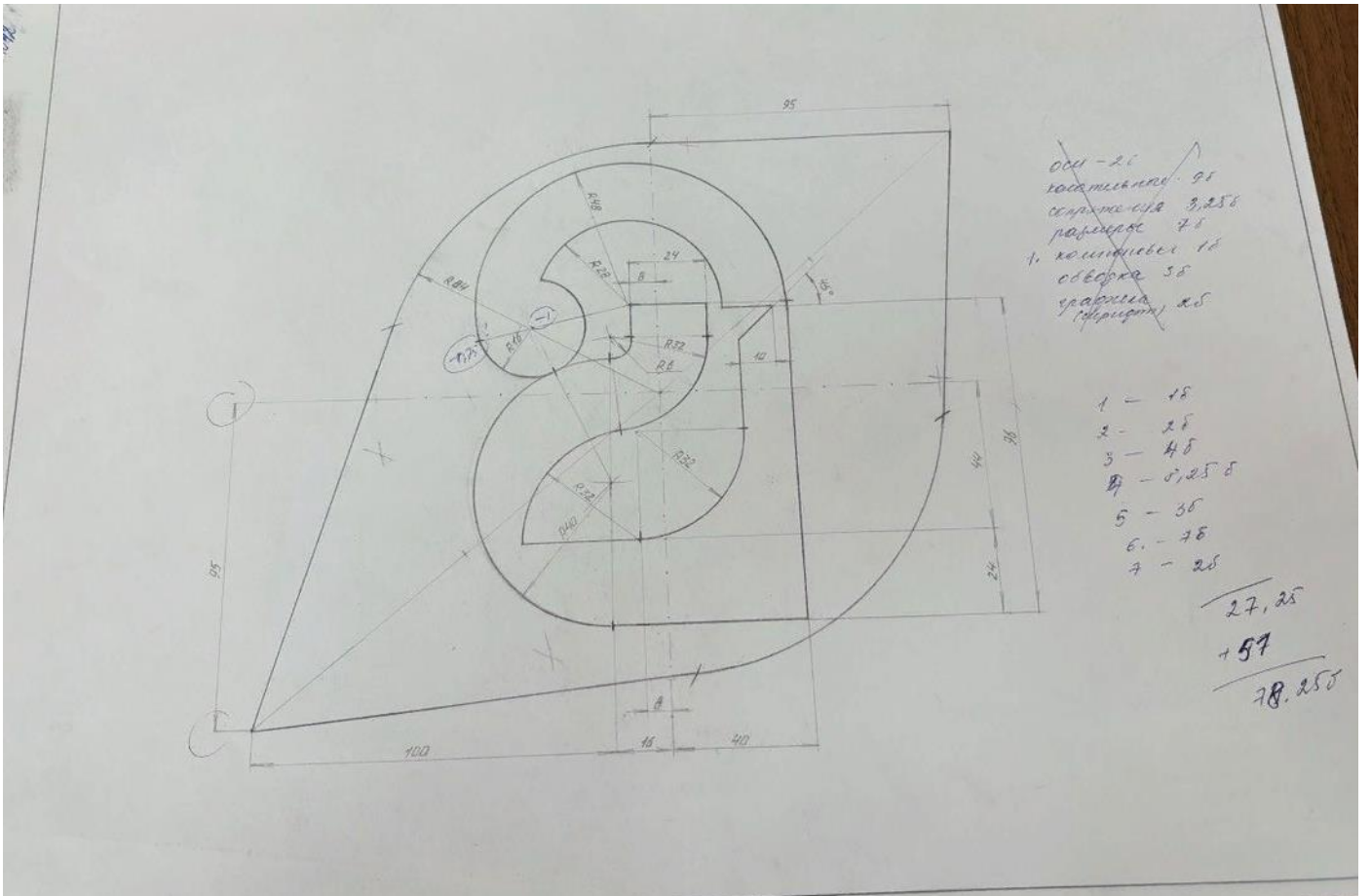
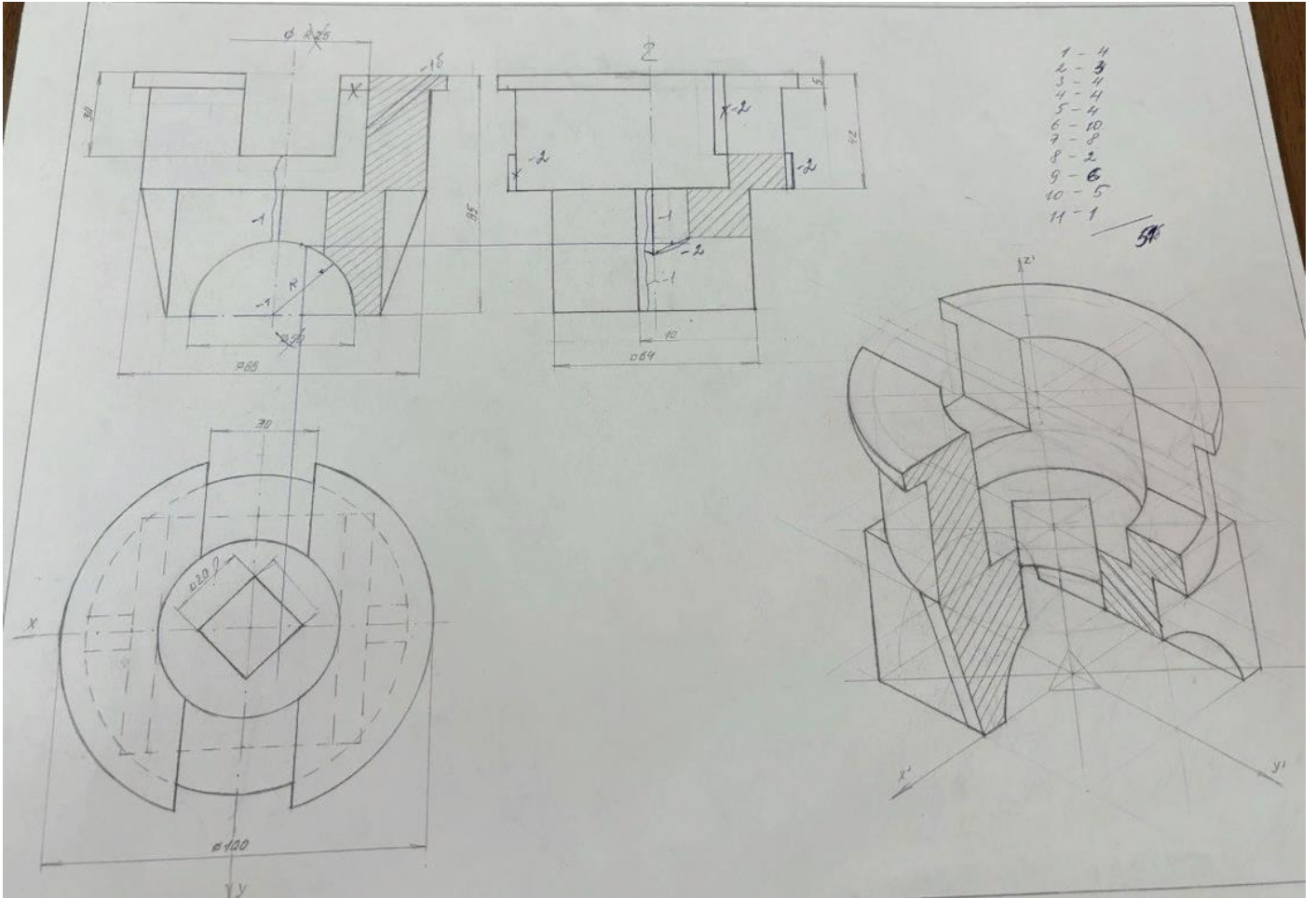
Pódomy - 2
 Pódomy - 1
 Pódomy - 1
 Pódomy - 2
 Umore 63

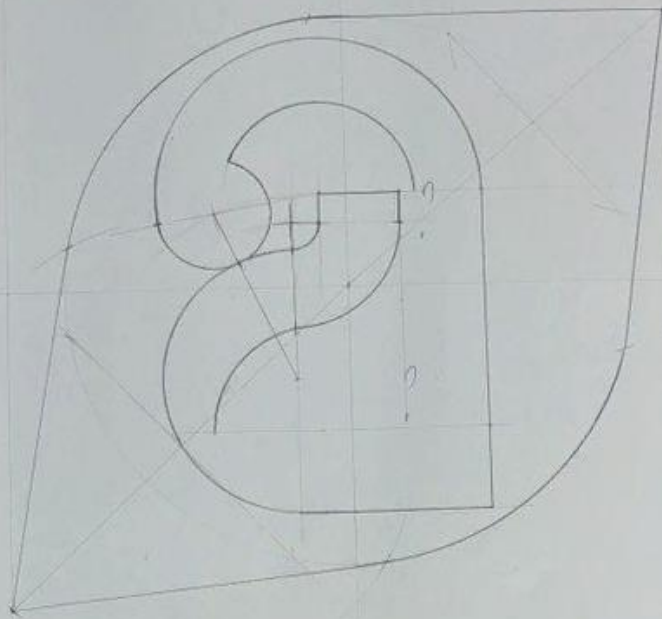


- 1-5
- 2-5
- 3-4
- 4-10
- Pódomy 5-4
- 6-9
- 7-8
- 8-2
- 9-6
- 10-4
- 11-3
- 63.



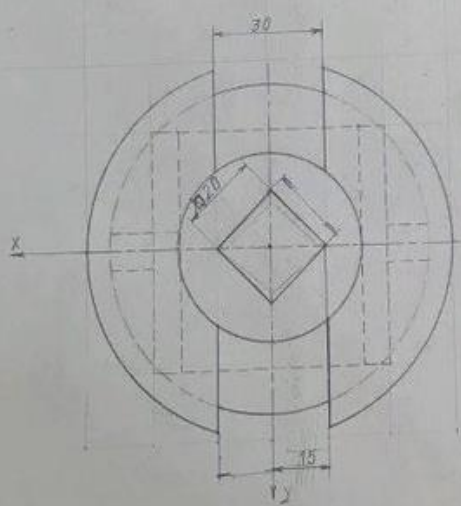
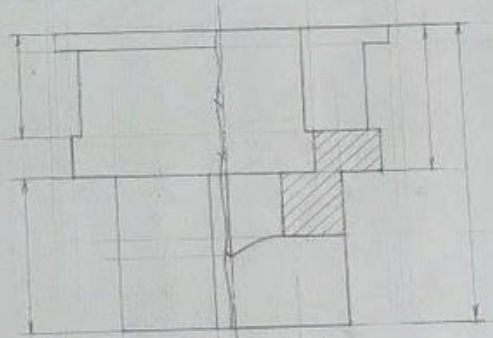
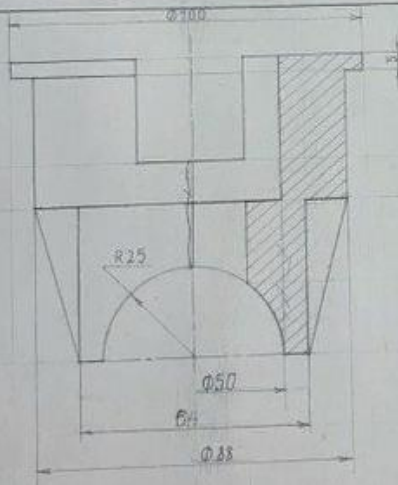
- 1-1
- 2-2
- 3-4
- 4-75
- 5-2
- 6-0
- 7-2
- 185





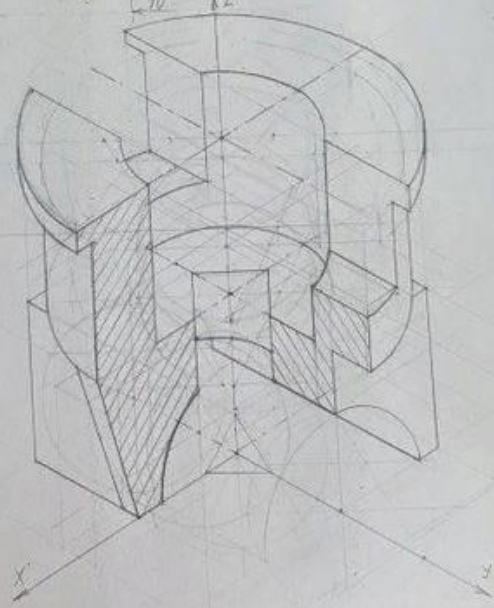
- 1-1
- 2-1
- 3-3
- 4-5
- 5-2
- 6-0
- 7-2

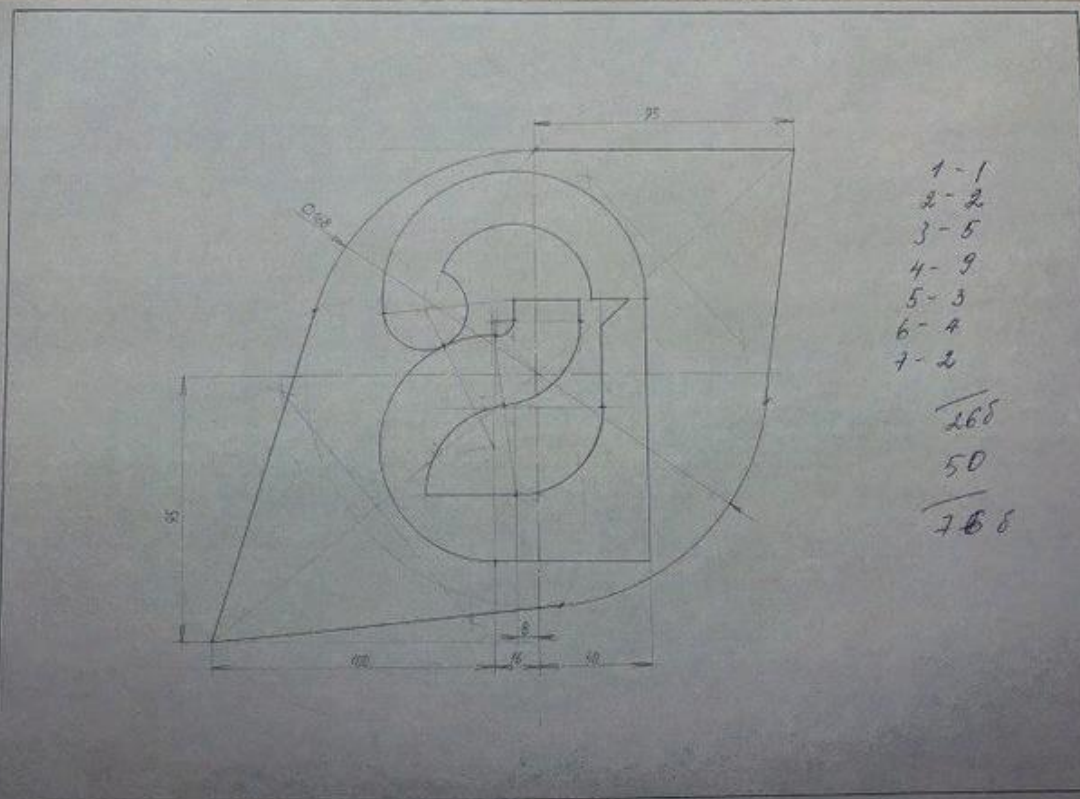
- 14



- 1-4
- 2-5.5
- 3-4
- 4-13.5
- 5-4
- 6-10.9
- 7-8
- 8-2
- 9-4
- 10-6
- 11-5

- 63

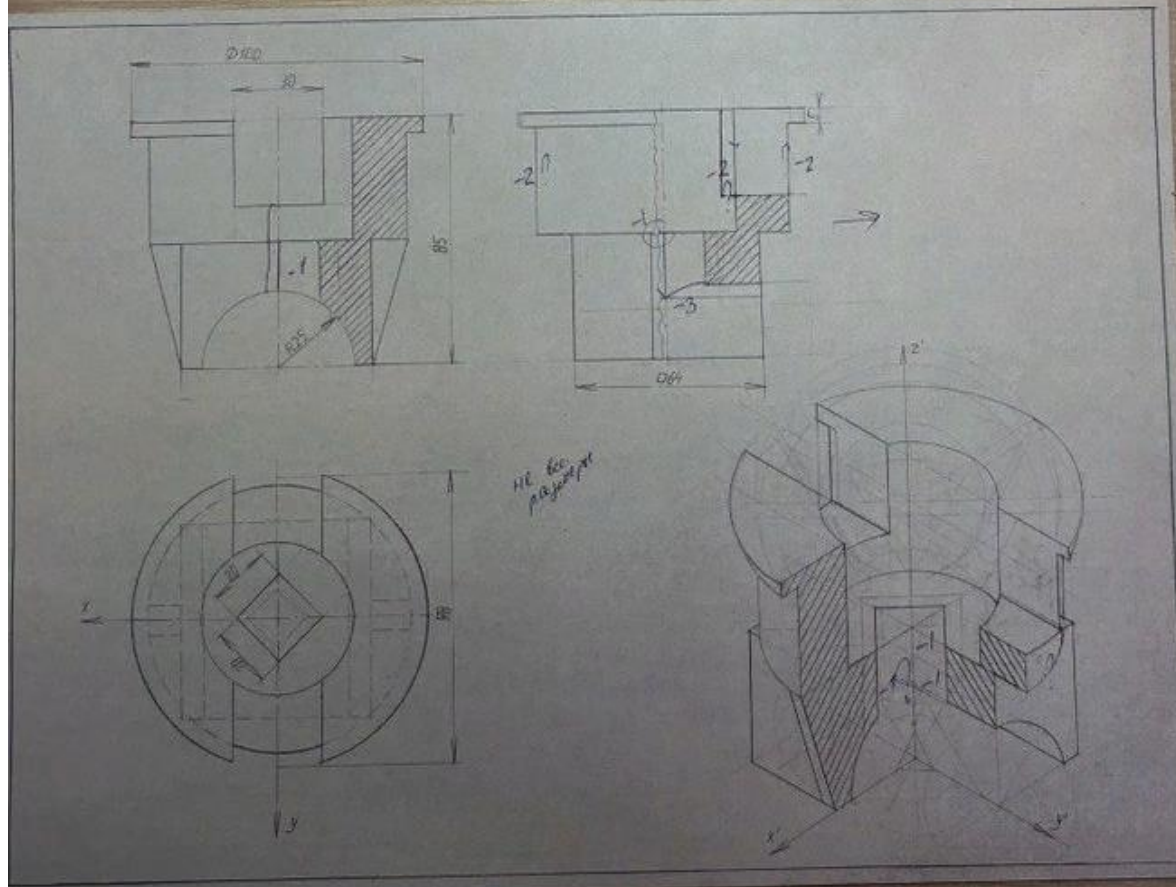




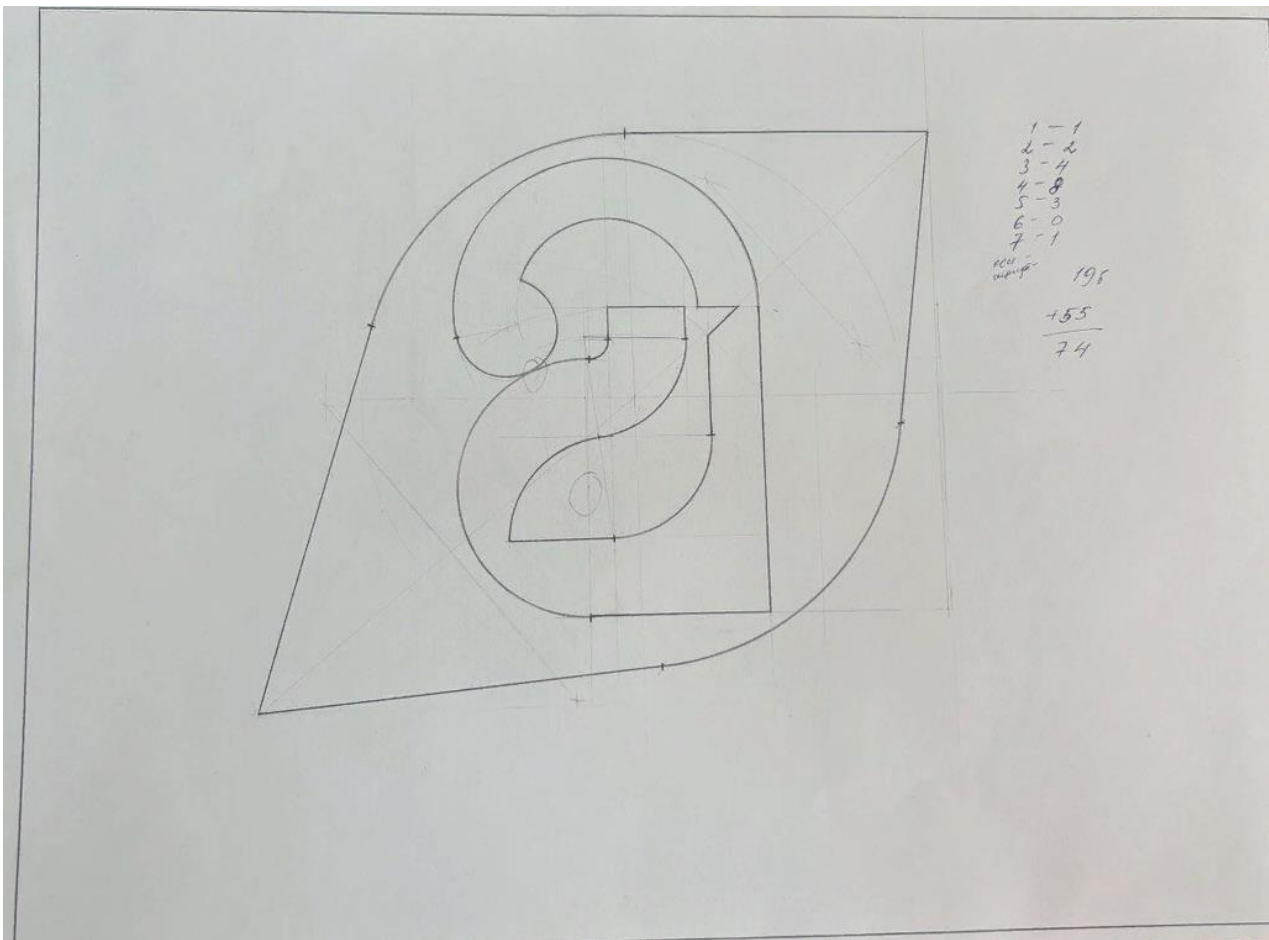
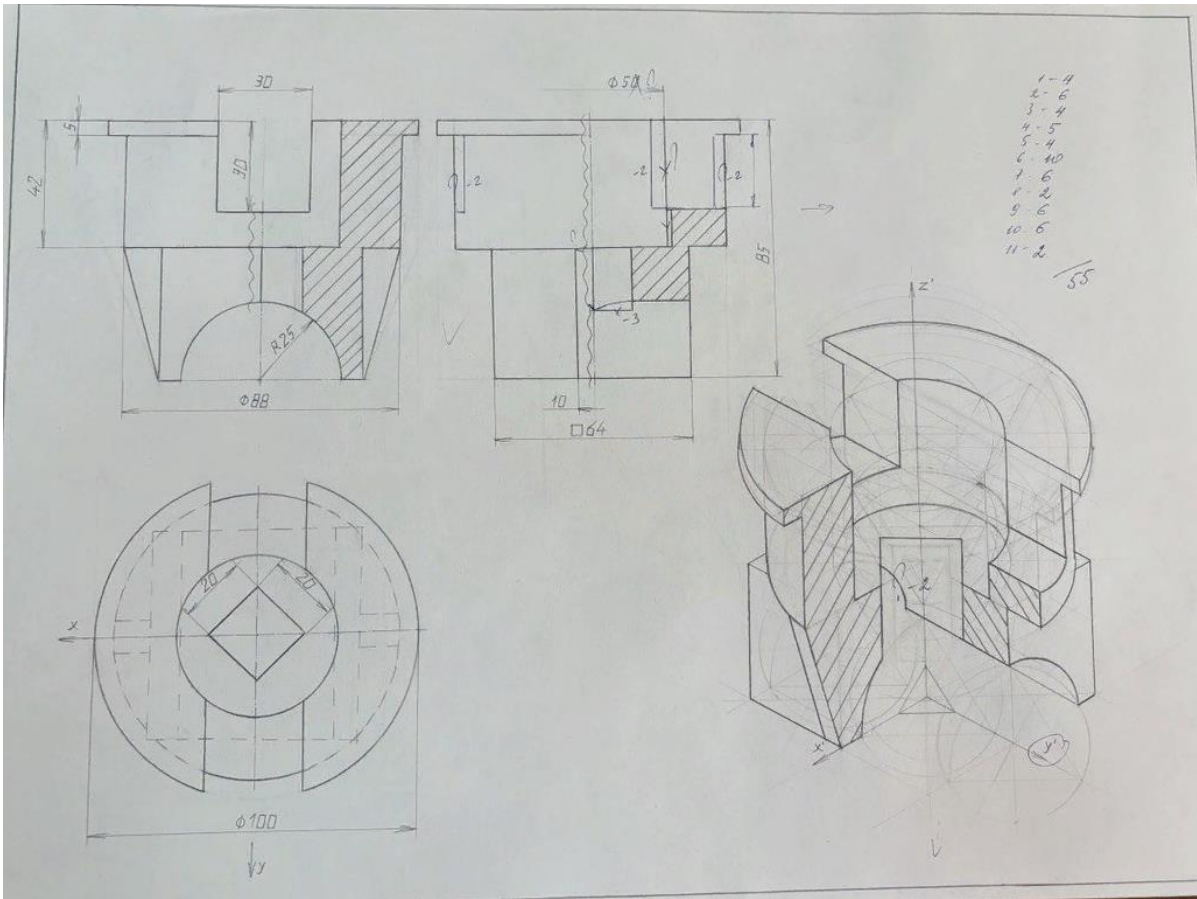
1-1
 2-2
 3-5
 4-9
 5-3
 6-4
 7-2

 265
 50

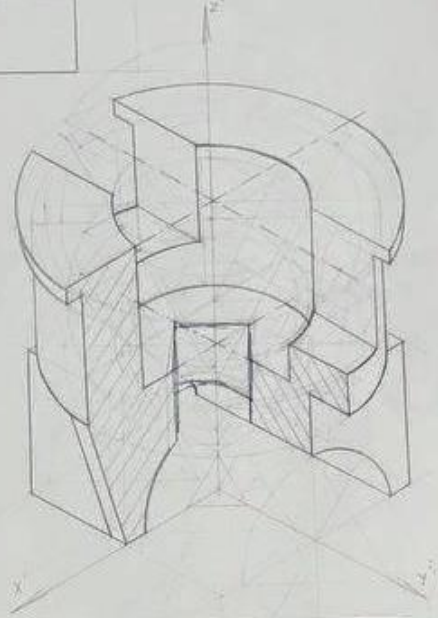
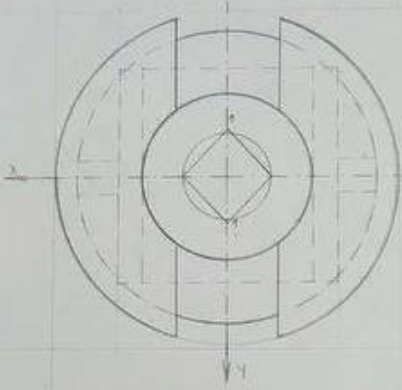
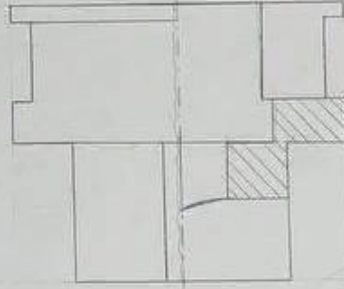
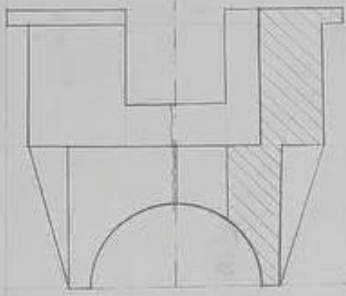
 215



не для печати



1-5.
 2-6.
 3-5.
 4-13.
 5-4.
 6-9.
 7-2.
 8-0.
 9-5.
 10-5.
 11-0.
 58.



1-1.
 2-2.
 3-4.
 4-7.5.
 5-2.
 6-0.
 7-2.
 18.5

